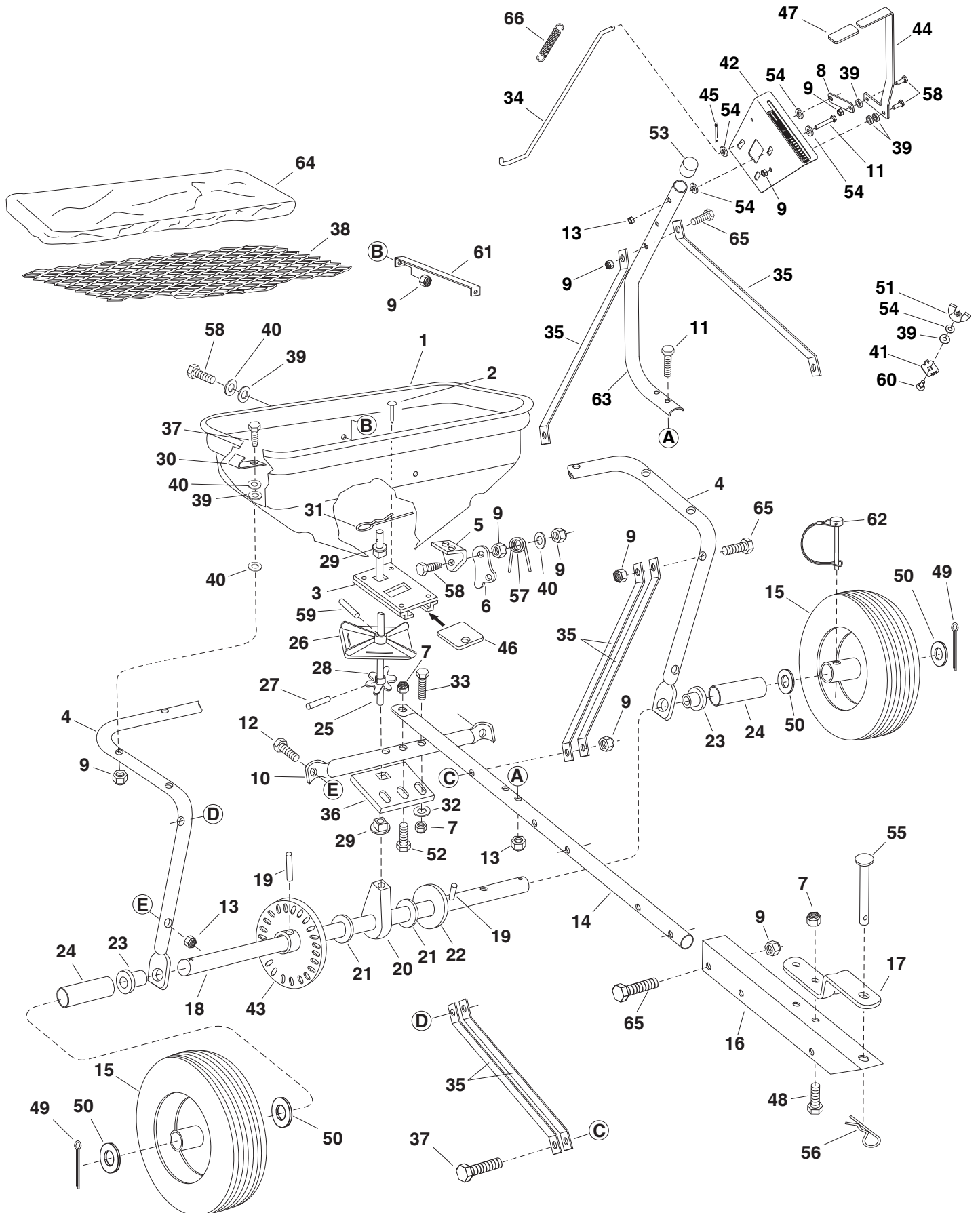


REPAIR PARTS FOR BROADCAST SPREADER MODEL NO. 45-03641, 45-03642



REPAIR PARTS FOR BROADCAST SPREADER MODEL NO. 45-03641, 45-03642

| REF. NO. | PART NO. | QTY. | DESCRIPTION | REF. NO. | PART NO. | QTY. | DESCRIPTION |
|----------|----------|------|---------------------------------|----------|-----------|------|---------------------------------|
| 1 | 49414 | 1 | Hopper | 35 | 23525 | 6 | Brace, Hitch |
| 2 | 43882 | 4 | Rivet, Stainless | 36 | 23762 | 1 | Shaft Support Plate |
| 3 | 65129 | 1 | Ass'y, Guide Closure | 37 | 46699 | 7 | Bolt, Hex 1/4-20 x 2" |
| 4 | 44462 | 1 | Tube, Frame | 38 | 47441 | 1 | Screen |
| 5 | 23753 | 1 | Slide Gate Angle Bracket | 39 | 1543-69 | 12 | Washer, Nylon |
| 6 | 23758 | 1 | Slide Gate Bracket | 40 | 43088 | 15 | Washer, Flat 1/4" Std. |
| 7 | HA21362 | 5 | Nut, Hex 3/8-16 Nylock | 41 | 24858 | 1 | Stop, Adjustable |
| 8 | 24857 | 1 | Flow Control Link | 42 | 24915 | 1 | Bracket, Flow Control Mount |
| 9 | 47189 | 18 | Nut, Hex 1/4-20 Nylock | 43 | 62474 | 1 | Gear Assembly |
| 10 | 43808 | 1 | Tube, Crossover | 44 | 24917 | 1 | Flow Control Arm |
| 11 | 43084 | 4 | Bolt, Hex 5/16-18 x 1-3/4" Lg. | 45 | 44101 | 1 | Cotter Pin 3/32" x 3/4" Lg.* |
| 12 | 44180 | 2 | Bolt, Hex 5/16-18 x 2" Lg. | 46 | 23533 | 1 | Plate, Closure |
| 13 | 47810 | 6 | Nut, Hex 5/16-18 Nylock | 47 | 43848 | 1 | Grip, Flow Control Arm |
| 14 | 48864 | 1 | Tube, Hitch | 48 | 43407 | 2 | Bolt, Hex 3/8-16 x 3/4" Lg. * |
| 15 | 48511 | 2 | Wheel | 49 | 43093 | 2 | Pin, Cotter 1/8" x 1-1/2" |
| 16 | 25080 | 1 | Bracket, Hitch Extension | 50 | 43009 | 4 | Washer, Flat 3/4" |
| 17 | 23014 | 1 | Bracket, Hitch | 51 | 47141 | 1 | Wing Nut, Nylon |
| 18 | 24914 | 1 | Shaft, Axle | 52 | HA180132 | 1 | Bolt, Hex 3/8-16 x 2-1/4" Lg. * |
| 19 | 43851 | 2 | Pin, Spring 3/16" Dia. x 1-1/4" | 53 | 44481 | 1 | Vinyl Cap |
| 20 | 43871 | 1 | Bushing, Axle Shaft | 54 | R19111116 | 7 | Washer, 5/16 SAE |
| 21 | 1540-32 | 5 | Washer, Flat .78 I.D. | 55 | 47623 | 1 | Hitch Pin |
| 22 | 1540-162 | 1 | Washer, Flat 3/4" | 56 | 43343 | 1 | Hair Cotter Pin, 1/8" |
| 23 | 47615 | 2 | Bearing, Flange | 57 | 44566 | 1 | Spring, Torsion |
| 24 | 47683 | 2 | Tube, Spacer | 58 | 43661 | 5 | Bolt, Hex 1/4-20 x 1" Lg.* |
| 25 | 25305 | 1 | Shaft, Sprocket | 59 | 46055 | 1 | Pin, Spring 1/8" Dia. x 1" Lg. |
| 26 | 04367 | 1 | Spreader Impeller | 60 | 44950 | 1 | Bolt, Carriage 1/4-20 x 3/4" |
| 27 | 43850 | 1 | Pin, Spring 1/8" Dia. x 5/8". | 61 | 25433 | 1 | Strap, Hopper |
| 28 | 44468 | 1 | Sprocket, 6 Tooth | 62 | 48515 | 1 | Drive Pin W/Bail, 1/4" x 2" |
| 29 | 44285 | 2 | Bushing, Delrin | 63 | 48514 | 1 | Flow Control Mounting Tube |
| 30 | 25672 | 2 | Clip | 64 | 49504 | 1 | Vinyl Cover |
| 31 | 48934 | 1 | Hairpin Agitator | 65 | 1509-69 | 5 | Bolt, Hex 1/4-20 x 1-3/4" Lg.* |
| 32 | 43070 | 5 | Washer, Flat 3/8" * | 66 | 43000 | 1 | Spring |
| 33 | 43054 | 2 | Bolt, Hex 3/8-16 x 2" Lg.* | | 49857 | 1 | Owner's Manual |
| 34 | 48586 | 1 | Rod, Flow Control | | | | |

* Purchase common hardware locally.

SpeedEPart *the fastest way to purchase parts* www.speedepart.com